

Cibes A5000



Cibes A5000 is a platform lift that offers the perfect accessibility solution for all kind of building environments: public, commercial and private.

The platform lift Cibes A5000 – Key features

- Quickest installation time on the market, within two to three days
- Easily installed in existing buildings
- Delivered with its own shaft
- Delivered in small packages for easy access to the building
- A separate machine room is not required
- Only 50 mm recess is required
- Rated load 400 kg, 5 people
- Travel height 13 metres, 6 landings
- Low operating costs and low power consumption
- Easy maintenance
- Soft start and stop screw drive
- A certified product that complies with European security and quality standards
- Automatic door opener as option

Cibes Lift develops, manufactures and sells lift solutions in different sizes, platform lifts as well as cabin lifts for public and private environments. Our distributor network is worldwide.

The Cibes A5000 has been designed to provide an inexpensive solution for easy access in the majority of environments; private, public and commercial. The platform lift Cibes A5000 represents the best solution for increased accessibility in existing buildings

Providing accessibility by combining the latest technology and high quality finishes

- Easy to maintain and service.
- Engine noise is insulated for a quiet ride.
- Cibes A5000 can travel to a maximum of 13 metres and six landings.
- An easy to use control panel with clear instructions allow for easy operation.
- The platform floor features non-slip rubber.

The perfect accessibility solution

The Cibes A5000 design is based on a screw and nut drive system mechanism, with its mechanical machinery installed internally, which implies no need for an external machine room.

The Cibes A5000 has been specially designed to adapt to special space restrictions, while maintaining users security and comfort.

The lift is sent and delivered with all the necessary parts for installation; a painted

white steel shaft and panoramic steel doors also in white are provided.

Cibes A5000 has been thoroughly engineered to comply with the highest quality standards.

The Cibes A5000 is tested, certified and conforms to the relevant compulsory safety requirements of the European Machinery of Directive 2006/42/EC.



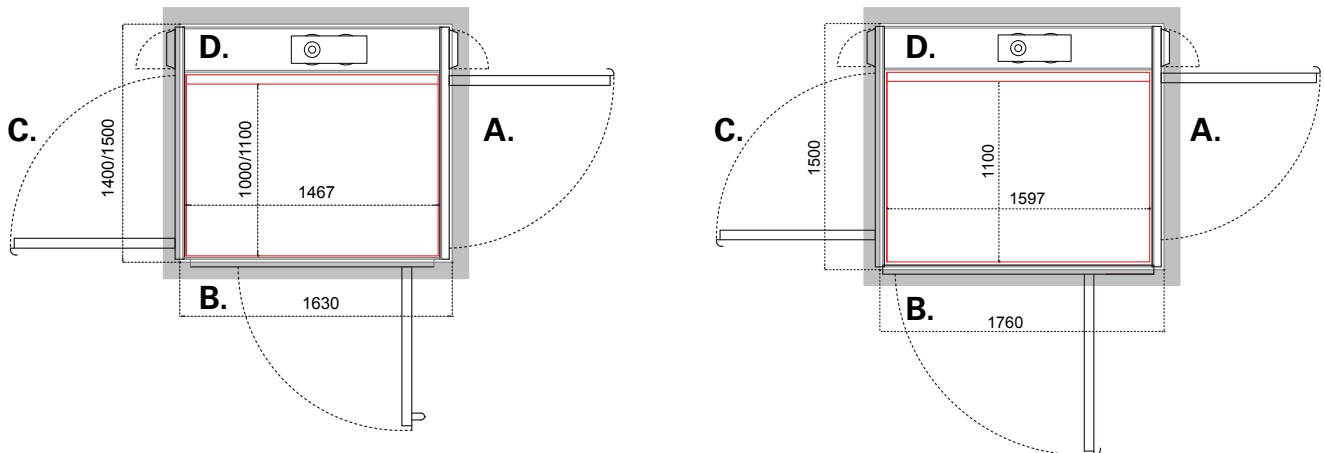
Easy installation and maintenance

The platform lift Cibes A5000 is an economical solution. The lift is easy to install not requiring a separate machine room or the need to build a shaft enclosure to contain the lift. In addition, the Cibes A5000 can be installed in a period of 2-3 days with the possibility to be placed directly on the floor without a lift pit.

In addition to low installation costs, the

platform lift Cibes A5000 has a low operation and maintenance costs. The lift is delivered complete with an insulated prefabricated shaft made of painted steel panels or toughened laminated safety glass panels.

The control panel comprises easy-to-use tactile braille push buttons, emergency light, alarm button and an emergency stop button.



Cibes A5000 - Standard size, mm

Platform size (w x d): 1000 x 1467, 1100 x 1467, 1100 x 1597

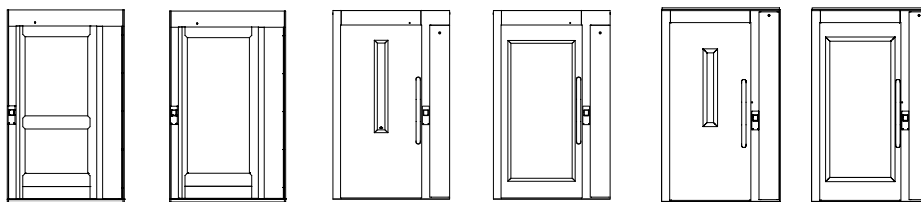
Cut out size (w x d): 1400 x 1630, 1500 x 1630, 1500 x 1760

The exact cut out sizes vary depending on the configuration of the lift, and site specifications, please consult your local distributor for more information.

TECHNICAL INFORMATION	Cibes A5000
Lift location	Indoors / Outdoors***
Rated load	400 kg / 500 kg
Rated speed (m/sec)	Max 0.15
Travel height	Up to 13 m
Min.headroom at top landing	2500 mm
Pit depth without ramp	50 mm
Standard platform dimension (WxD) mm	1000 x 1467 / 1100 x 1467 / 1100 x 1597**
Standard shaft dimension (WxD) mm	1360 x 1509 / 1460 x 1509 / 1460 x 1639
Footprint dimensions (WxD) mm	1400 x 1630 / 1500 x 1630 / 1500 x 1760
Maximum number of stops	6
Standard shaft finish	Steel panels RAL 9016
Standard platform finish	Steel panels RAL 9016
Shaft door configuration	Single-entry, open through, adjacent
Shaft doors	Single hinged
Gate door	Single hinged
Shaft door measurement	900x2000 mm
Gate door measurement	900x1100 mm
Driving system	Screw and nut, with safety nut
Control system	Micro computer based system
Standard power supply	400 VAC 3-phase 50/60 Hz 16 A*
Motor power	2.2 KW
Control buttons	One touch buttons from landings, hold to run from platform
Machine room	Integrated/or separated
In compliance with	SS- EN 81-41 MD 2006/42/EC
Manufactured in	Sweden

For more product details and information about the product and accessory selection, contact Cibes Lift AB. This product information is general and we reserve the right to modify product design and specifications. Minor deviations in color reproduction can occur. The brand Cibes Lift is owned by Cibes Lift Holding AB. © Cibes Lift AB 2014

* Also available 230 VAC 1-phase 50/60 Hz 16 A
 ** Also available in semi-standard sizes
 *** Outdoor placement is not available for our semi-standard platform sizes



Door name	AL3	AL4	A10	A20	EI60*	EI60G*
Clear door opening size mm, (WxH)	900x2000**	900x2000**	900x2000***	900x2000***	900x2000	900x2000
Glass size mm, (WxH)	740x535/ 740x935	740x1600	90x1010	725x1590	75x800	700x1563
Door finish	anodized alum.	anodized alum.	painted steel	painted steel	painted steel	painted steel
Frame/RAL colour	anodized alum.	anodized alum.	9016	9016	9016	9016
Inbuilt door closer	STD	STD	STD	STD	STD	STD
Automatic door opener	External as option	External as option	External or concealed as option	External or concealed as option	External as option	External as option
Door handle	integrated in the door leaf	integrated in the door leaf	placed external	placed external	placed external	placed external

* Fire rated doors in compliance with EN 81-58

** Door height of between 1800 to 2100 mm available as an extra option

*** Door height of between 1800 to 2300 mm available as an extra option

Accessories and options

Our standard lift versions meet the most common market requirements and needs that may exist on the market. The control panel is one example where the standard design in aluminum matches the aluminum doors, but can just as easily be powder coated in any RAL color. The lift can be customized after specific requirements thanks to our wide range of accessories and options.

Our designs are constantly evolving and we are committed to delivering state of the art lift solutions that meet all safety requirements, while also being tailored to fit our customers' every need.

ACCESSORIES
LOCKING SYSTEMS
Smartcard on the platform's control panel
Smartcard at the doors
School lock system on the platform's control panel
School lock system at the doors
Code lock on/off function at the platform's control panel
Code lock on/off function at the doors
TELEPHONES
Aiphone
Safeline MX/GSM
ALARMS
Alarm beacon
EXTRA FUNCTIONS
Remote call button
Remote elbow call button
IR control
Level indicator placed at the doors
Arrival signal
Voice announcement
Emergency lowering device
Emergency lowering device (including hand crank)
Soft start & Stop (frequency converter)
One phase frequency converter
Fire drive
Torch and outlet in the electrical compartment
Wall socket outlet in the electrical compartment

ACCESSORIES
SHAFT AND CAR
Control panel on platform powder coated in any RAL color
Folded seat
Shaft ceiling LED lights
Powder coated shaft in any RAL color
U bracket
Telescopic bracket
Reinforced shaft panel
Extra roof in steel for the shaft
Extra roof in steel for the machine room
Shaft glass panels available finishes: 1) Fume Bronze 1, 2) Fume Bronze 2, 3) Fume Grey 1, 4) Fume Grey 2, 5) Absolute Blanck, 6) Artic Snow, 7) Polar White, 8) Clear Glass, 9) Frost Opal, 10) Frost
FLOOR
Floor in aluminum
Floor without carpet
Floor plate
Steel plate under the platform / car
Raised edges on the platform
DOORS
Automatic door opener
Concealed door opener
Powder coated doors in any RAL colour
Steel door with small glass
Fire rated doors EI60
Fire rated panoramic doors EI60G
Aluminum door with panoramic glas (AL4)
Aluminum door with devided panoramic glas (AL3)