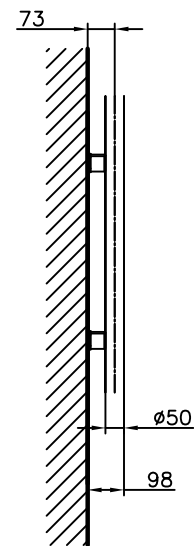


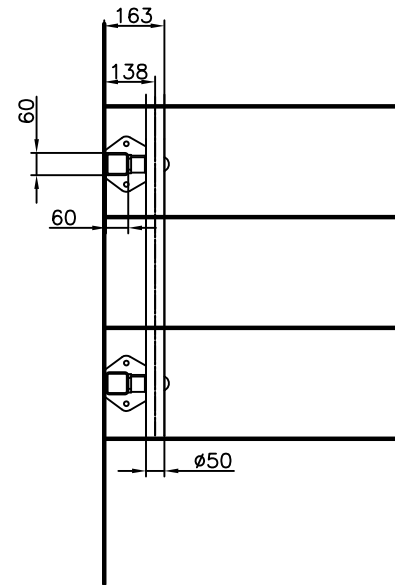
## RAIL FIXING

### ON THE WALL



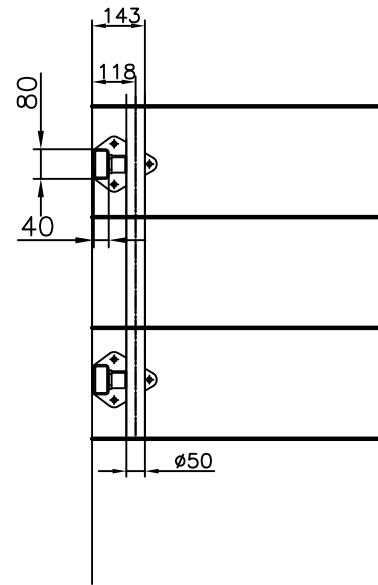
### ON PILLARS

60x60mm

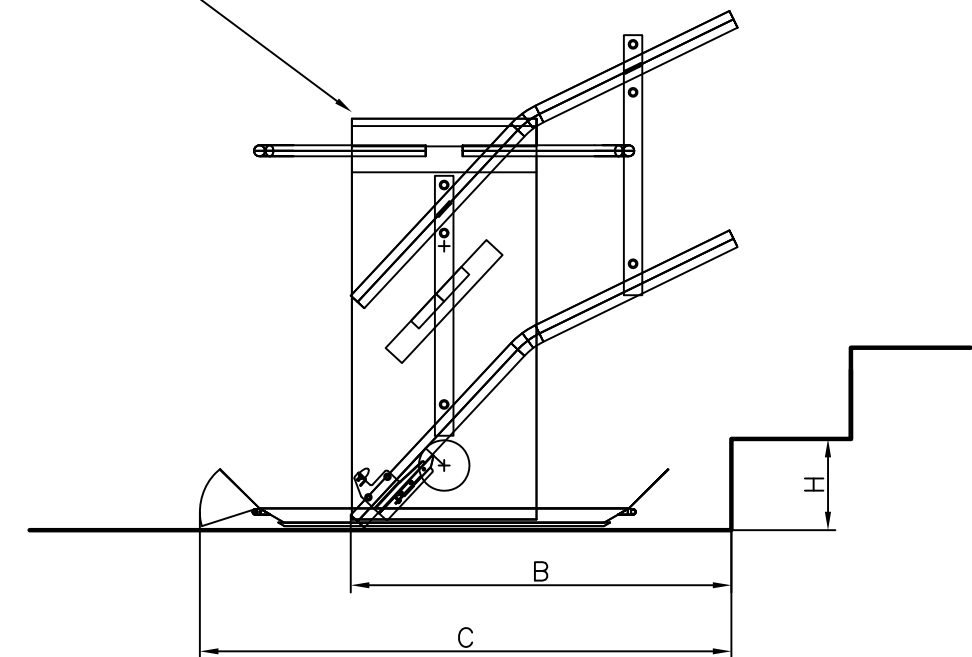


### ON PILLARS

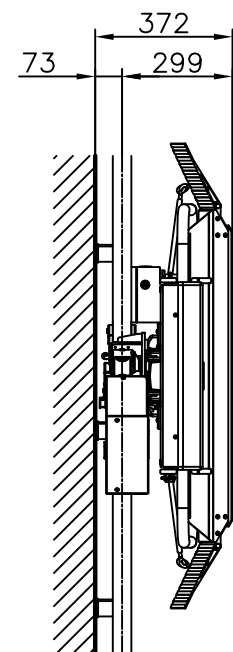
80x40mm



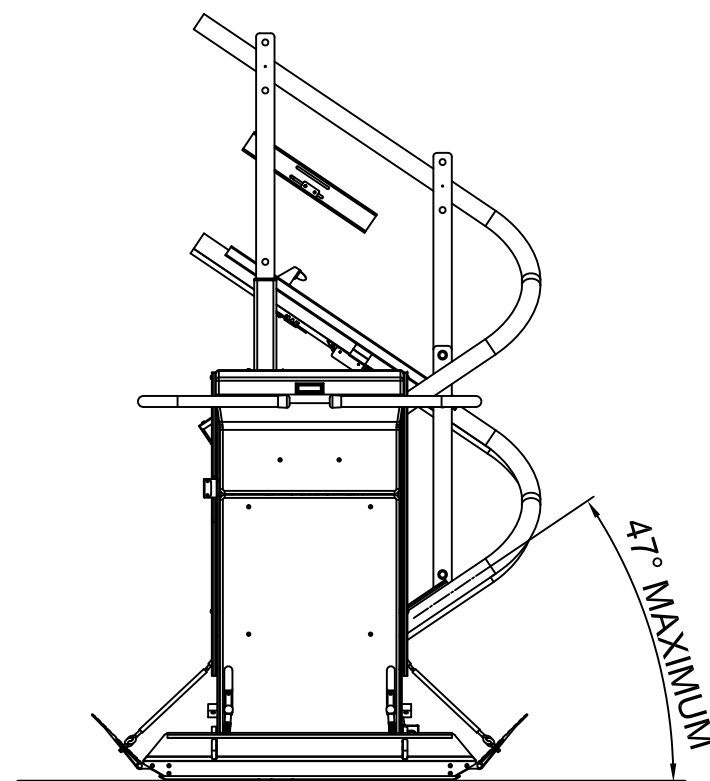
Steiler Start



### PLATFORM CLOSED



### INCLINATION OF RAIL



| DIMENSIONS FOR RAIL AND PLATFORM IN CASE OF STEEP START |         |      |         |      |         |      |          |      |
|---|---------|------|---------|------|---------|------|----------|------|
| 150   | 797     | 1081 | 847     | 1181 | 872     | 1231 | 922      | 1331 |
| 160   | 806     | 1090 | 857     | 1190 | 882     | 1240 | 932      | 1340 |
| 170   | 815     | 1099 | 865     | 1199 | 891     | 1249 | 941      | 1349 |
| 180   | 824     | 1108 | 874     | 1208 | 900     | 1258 | 951      | 1358 |
| 190   | 834     | 1117 | 884     | 1217 | 909     | 1267 | 960      | 1367 |
| 200   | 844     | 1126 | 893     | 1226 | 919     | 1276 | 969      | 1376 |
| H<br>HEIGHT OF<br>1.STEP                                | B       | *C   | B       | *C   | B       | *C   | B        | *C   |
|   | L = 750 |      | L = 850 |      | L = 900 |      | L = 1000 |      |

\* VALUE C IS FOR RAMP LENGTH 150mm

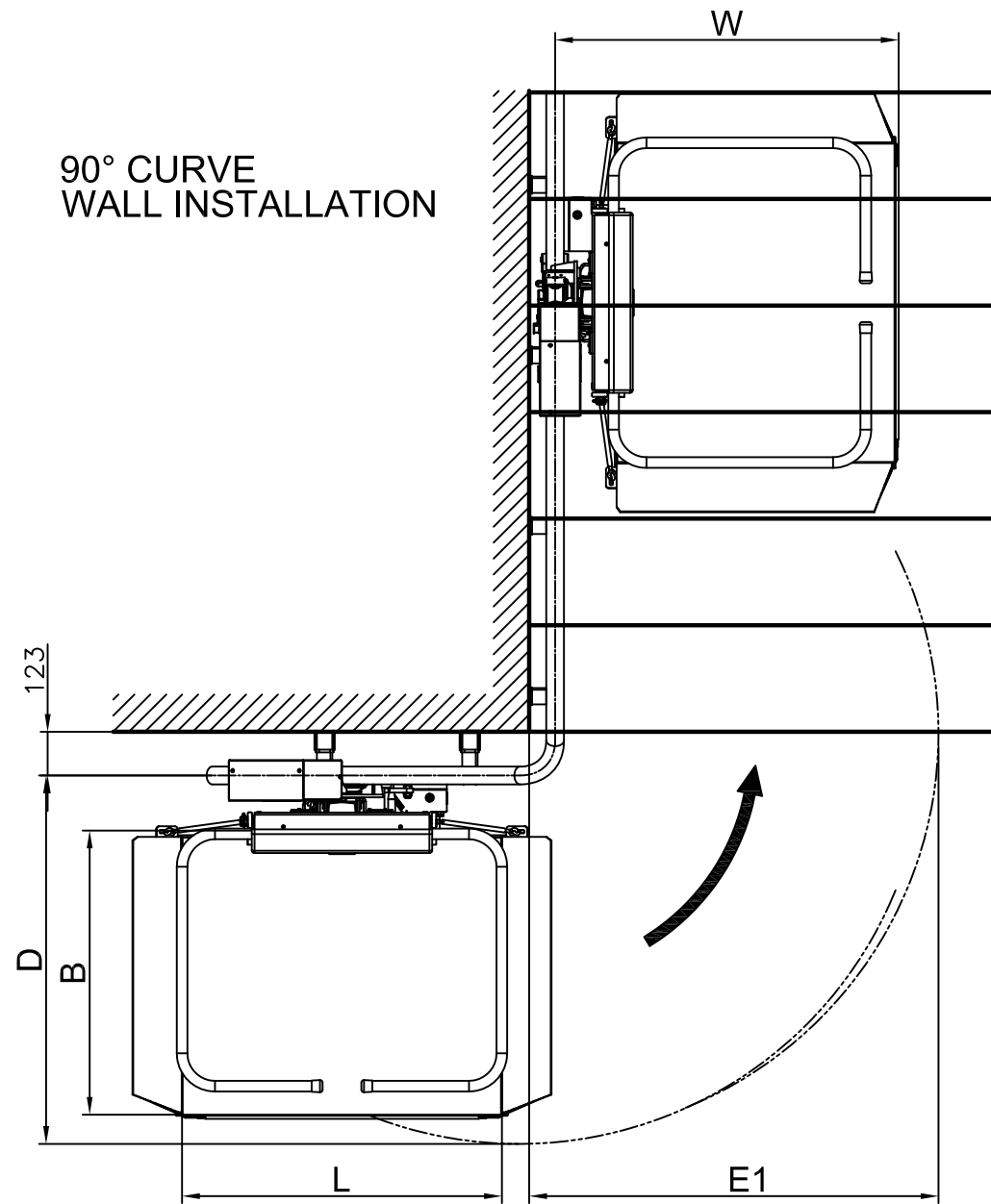
## STRATOS DIMENSION SHEET

**LEHNER**  
LIFTTECHNIK

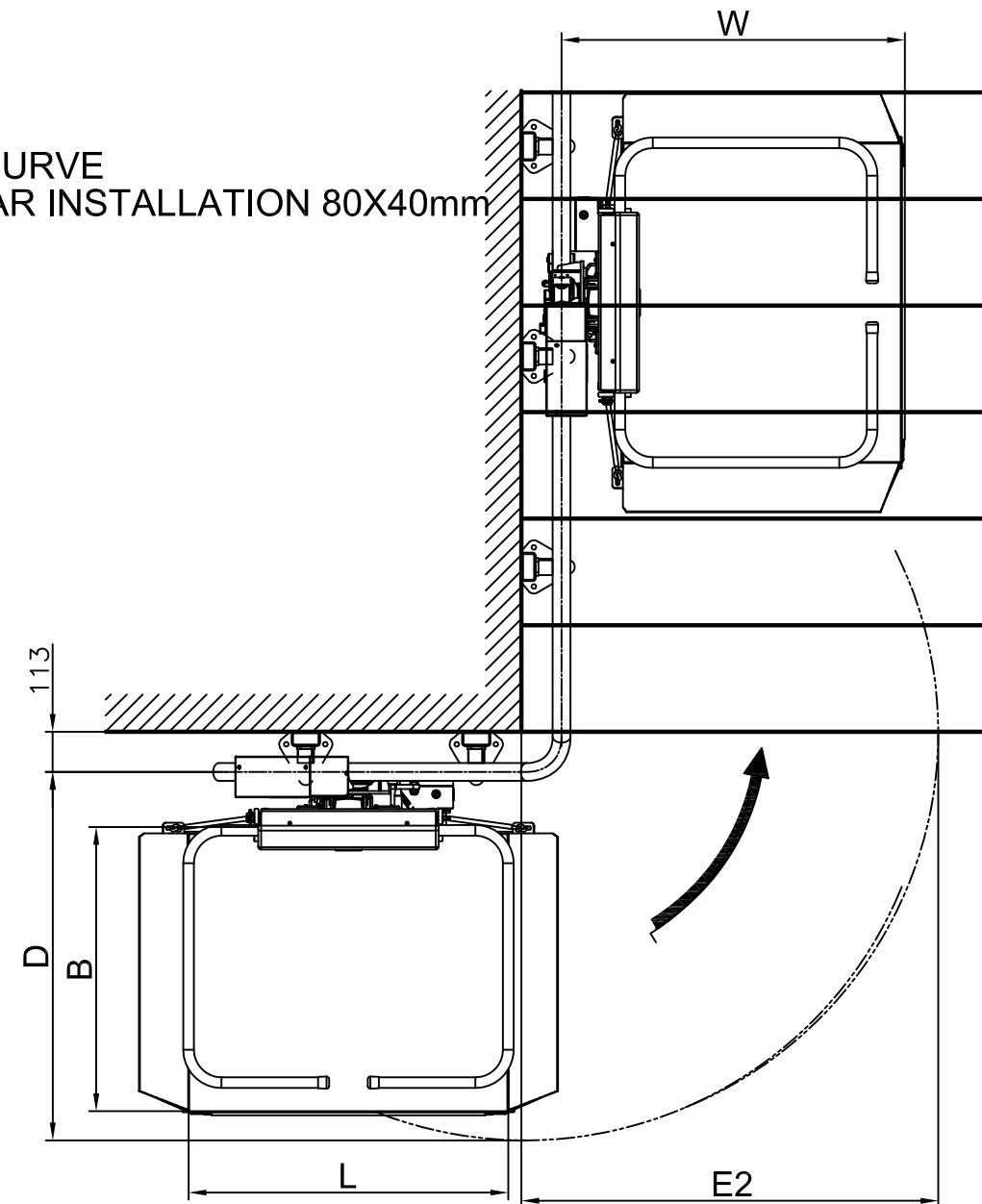
**Lehner Liftechnik GmbH**

A - 4724 Neukirchen am Walde, Salling 8,  
Tel.: +43.7278.3514-11 / Fax: -12, E-mail: office.lehner@gmx.at

90° CURVE  
WALL INSTALLATION



90° CURVE  
PILLAR INSTALLATION 80X40mm



| PLATFORM<br>(L x W) | W   | D    | E1   | E2   | X   | Y   |
|---------------------|-----|------|------|------|-----|-----|
| 750 x 700           | 892 | 918  | 1029 | 1069 | 206 | 346 |
| 850 x 750           | 917 | 982  | 1098 | 1138 | 206 | 346 |
| 900 x 800           | 967 | 1038 | 1154 | 1194 | 206 | 346 |
| 1000 x 800          | 967 | 1061 | 1181 | 1241 | 206 | 346 |
| 1250 x 800          | 967 | 1129 | 1258 | 1298 | 206 | 346 |

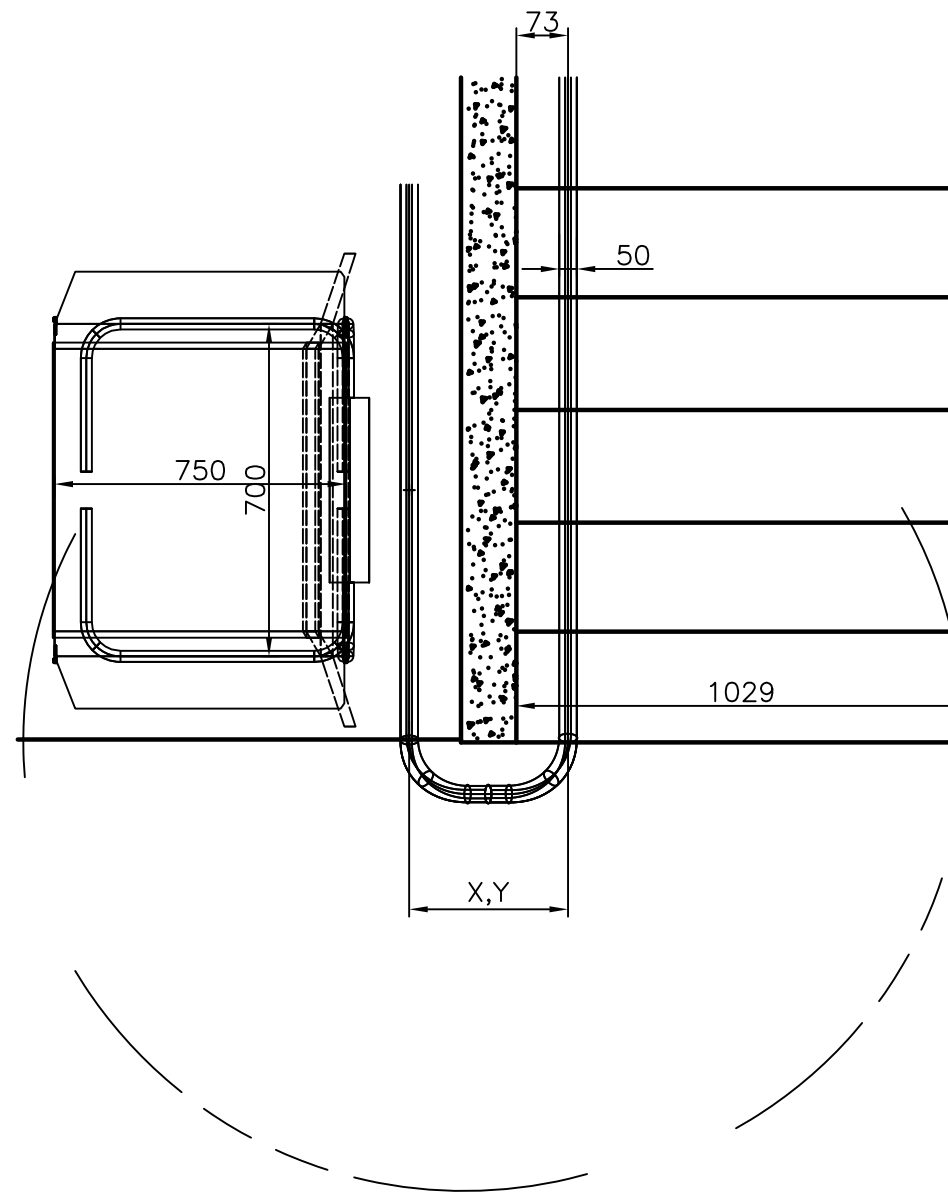
RAMP LENGTH 200mm

| X*  | Y*  |
|-----|-----|
| 206 | 346 |
| 206 | 346 |
| 206 | 346 |
| 206 | 346 |
| 206 | 346 |

\*X für 34"-44"-34"

\*Y für 25"-29"-25"

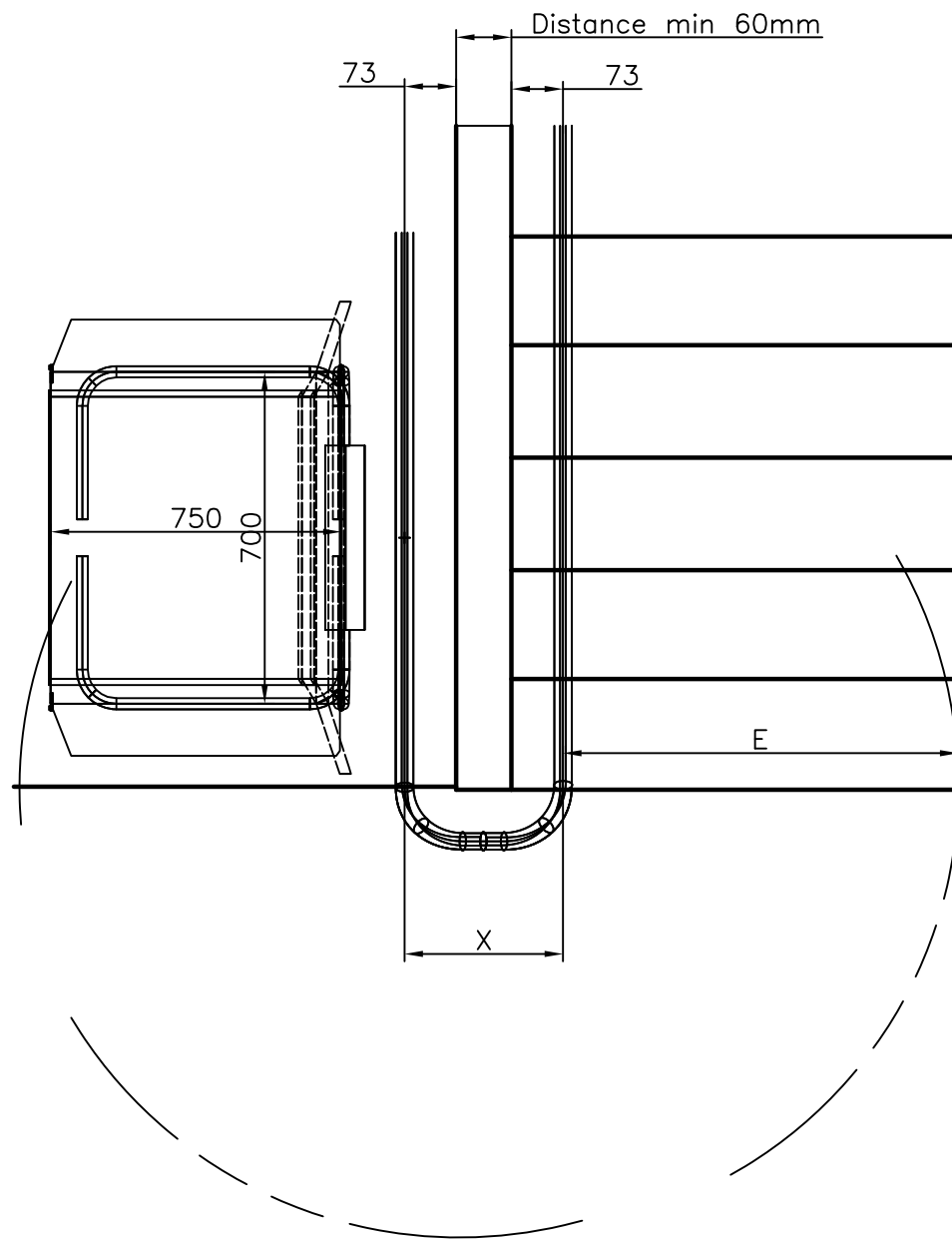
| Platform size | directly on wall | special posts(40x80mm) | Standard posts(60x60mm) |
|---------------|------------------|------------------------|-------------------------|
| 700x750mm     | 1029mm           | 1074mm                 | 1094mm                  |
| 750x850mm     | 1098mm           | 1143mm                 | 1163mm                  |
| 800x900mm     | 1154mm           | 1199mm                 | 1219mm                  |
| 800x1000mm    | 1181mm           | 1226mm                 | 1246mm                  |
| 800x1250mm    | 1258mm           | 1303mm                 | 1323mm                  |



# 180° CURVE WITHOUT WALL

34°-44°-34° Stützen ins Treppenauge

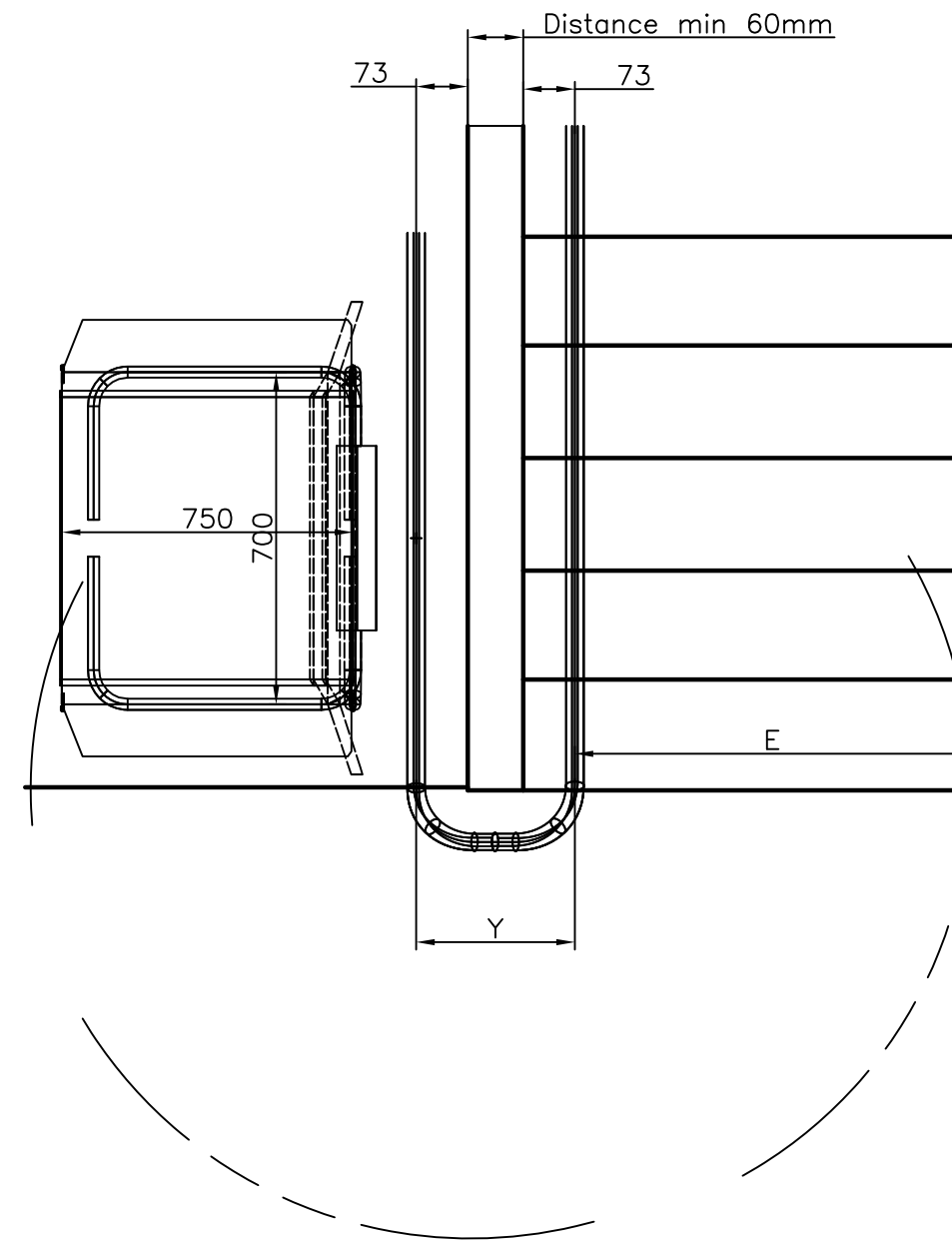
| Platform size | Dimension E | X   |
|---------------|-------------|-----|
| 700x750mm     | 956         | 206 |
| 750x850mm     | 1025        | 206 |
| 800x900mm     | 1081        | 206 |
| 800x1000mm    | 1108        | 206 |
| 800x1250mm    | 1185        | 206 |



# 180° CURVE WITHOUT WALL

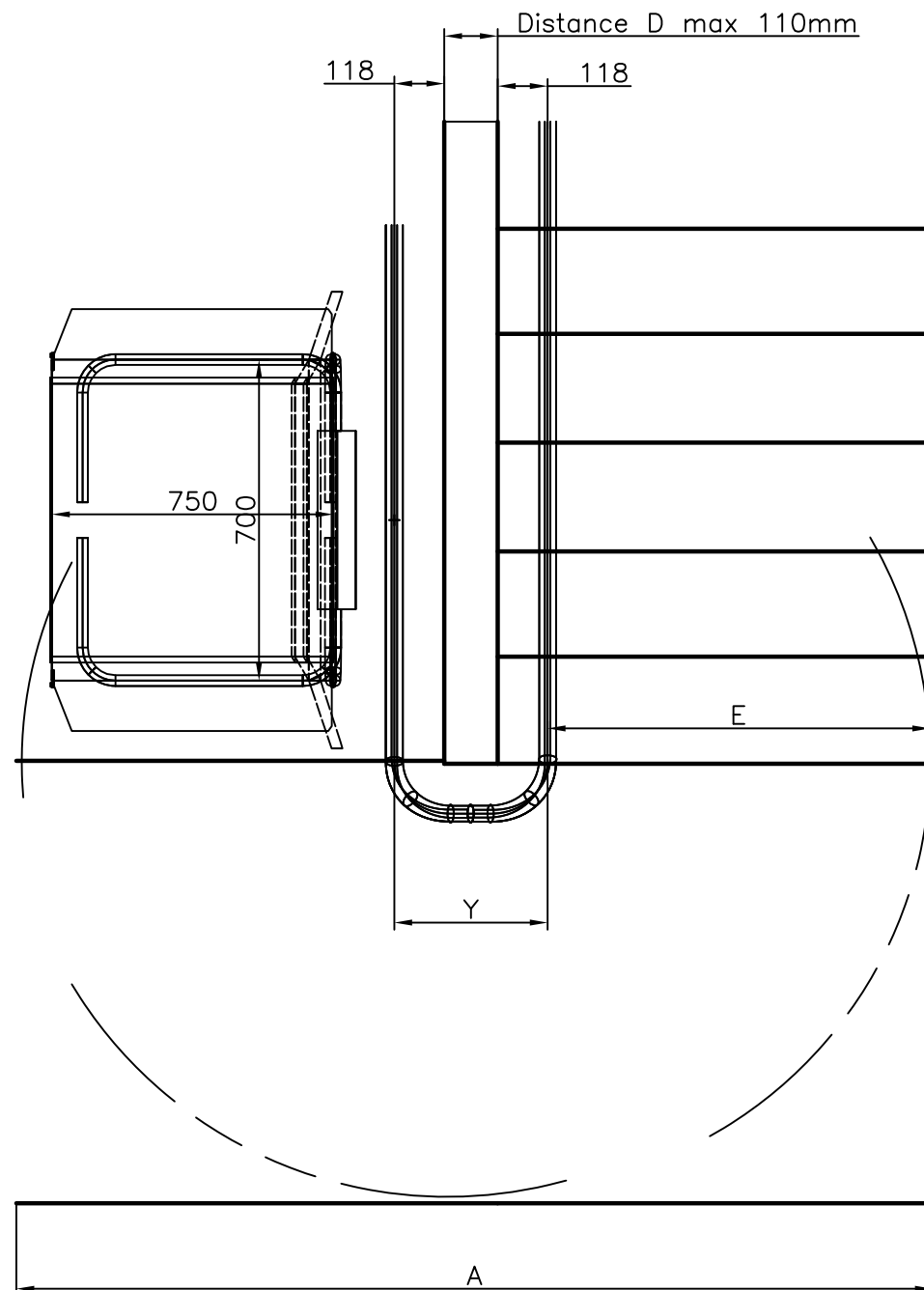
25°-29°-25° Stützen ins Treppenauge

| Platform size | Dimension S | Y   |
|---------------|-------------|-----|
| 700x750mm     | 956         | 346 |
| 750x850mm     | 1025        | 346 |
| 800x900mm     | 1081        | 346 |
| 800x1000mm    | 1108        | 346 |
| 800x1250mm    | 1185        | 346 |



| Y*  | A 25°-29°-25° Stützen auf Stufen |         |
|-----|----------------------------------|---------|
|     | 60x60mm                          | 80x40mm |
| 346 | 2258                             | 2258    |
| 346 | 2396                             | 2396    |
| 346 | 2508                             | 2508    |
| 346 | 2562                             | 2562    |
| 346 | 2716                             | 2716    |

\* gültig mit 60x60 Stützen bei D max. 70mm  
 \* gültig mit 80x40 Stützen bei D max. 110mm



| X*  | A 34°-44°-34° Stützen auf Stufen |         |
|-----|----------------------------------|---------|
|     | 80x40mm                          | 80x40mm |
| 236 | 2188                             | 2148    |
| 236 | 2326                             | 2286    |
| 236 | 2438                             | 2398    |
| 236 | 2492                             | 2452    |
| 236 | 2646                             | 2606    |

\* gültig mit 80x40mm bei D=0  
 \* X+40 gültig mit 60x60mm

